

# Caprera - High Intensity Cockpit Flood Light

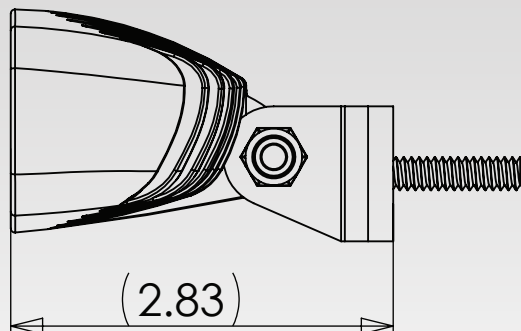
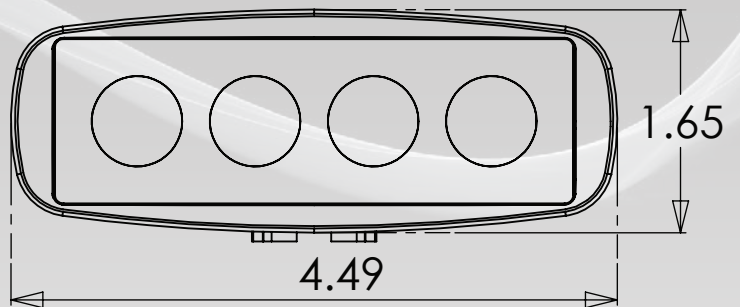
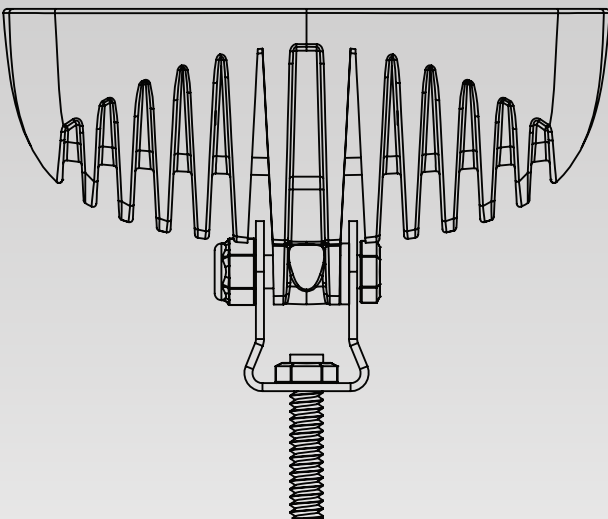


101040

10 to 30 VDC

900mA @ 12VDC, 450A @ 24VDC

- Lumitec's latest 55W Halogen replacement flood light
- Bright, even light, with 80% less power than incandescent lights
- Die cast aluminum housing with passivated 316 SS mounting hardware
- Proprietary coating process tested to 3,000 hrs (ASTM B117 salt spray exposure)



**CE** IP67 Compliant



Certified Ignition Protected,  
Intrinsically Safe,  
USCG